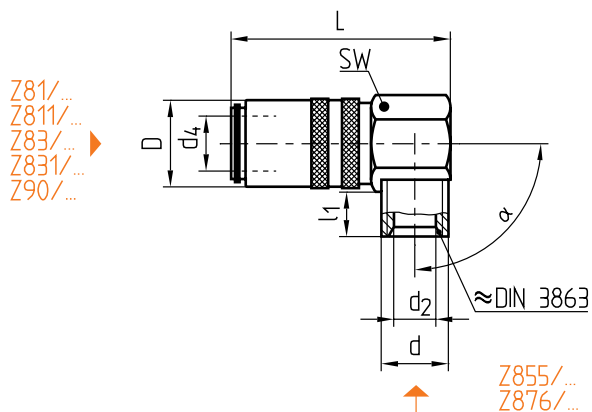


Z807/.../90

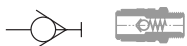
Mat.: 2.0401



► Info



Z81/...
Z811/...
Z83/...
Z831/...
Z90/...



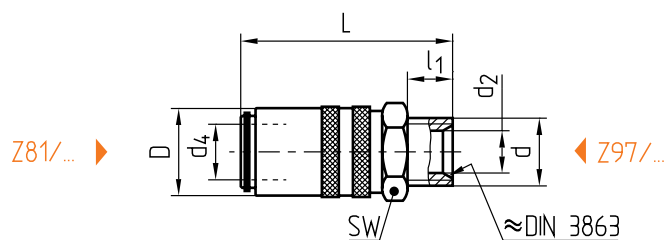
p [bar]	max. °C	D	SW	d ₂	L	l ₁	d ₄	d	α	Nr./No.
10	Viton®/200	17	17	6	47	9	9	M14x1,5	90°	Z807/ 9/14x1,5/90
15		22	22	9	54		13	M16x1,5		13/16x1,5/90
20		31	30	13	80	16	19	M24x1,5		19/24x1,5/90

Z808/...

Mat.: 2.0401

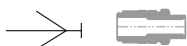


► Info



Z81/...

Z97/...



p [bar]	max. °C	SW	D	d ₂	L	l ₁	d ₄	d	Nr./No.
15	Viton®/200	22	22	9	52	9	13	M16x1,5	Z808/13/16x1,5
20		30	31	15	78	16	19	M24x1,5	19/24x1,5

This is trial version
www.adultpdf.com